



International FIG workshop on the Land Administration Domain Model LADM 2013: Welcome Speech

30-9-2013

Peter van Oosterom (TU Delft, The Netherlands)

24-25 September 2013, Kuala Lumpur, Malaysia (in conjunction with
International Symposium & Exhibition on Geoinformation: ISG 2013)

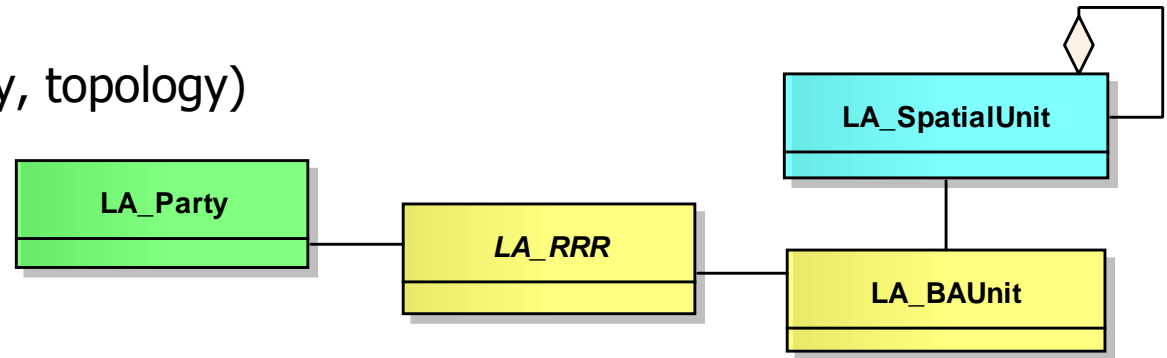
Looking back

- ISG 2012 'Ubiquitous Geospatial Solution', 25-26 September 2012: My honor to deliver keynote '3D Cadastre in the Netherlands'
- ISO 19152 Land Administration Domain Model (LADM) was on its way to become an International Standard
- Idea was born to combine the LADM workshop with ISG 2013



Land Administration Domain Model ISO 19152 (LADM)

- Model includes:
 - Spatial part (geometry, topology)
 - Extensible frame for legal/admin parts



- Stated within the FIG in 2002
(International Federation of Surveyors, founded 1878 NGO)
- FIG proposed LADM to ISO/TC211, January 2008
(parallel voting in ISO TC211 and CEN TC287)



- Includes **integrated 2D and 3D** support



Published by ISO:
1 December 2012

INTERNATIONAL
STANDARD

ISO
19152

First edition
2012-12-01

**Geographic information — Land
Administration Domain Model (LADM)**

*Information géographique — Modèle du domaine de l'administration
des terres (LADM)*

INTERNATIONAL
STANDARD

ISO
19152

First edition
2012-12-01

**Geographic information — Land
Administration Domain Model (LADM)**

*Information géographique — Modèle du domaine de l'administration
des terres (LADM)*



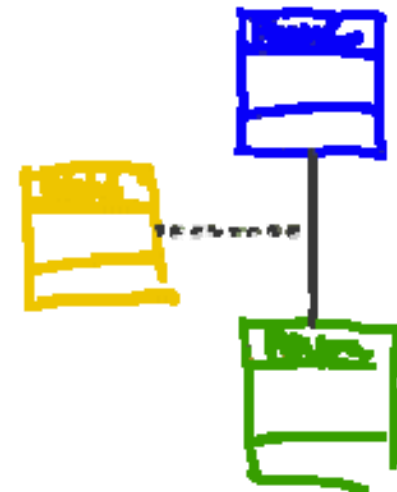
Reference number
ISO 19152:2012(E)

© ISO 2012

Previous LADM workshops

1. March 2003, Enschede, the Netherlands
2. December 2004, Bamberg, Germany
3. November 2009, Quebec City, Canada
4. July 2012, Rotterdam, the Netherlands

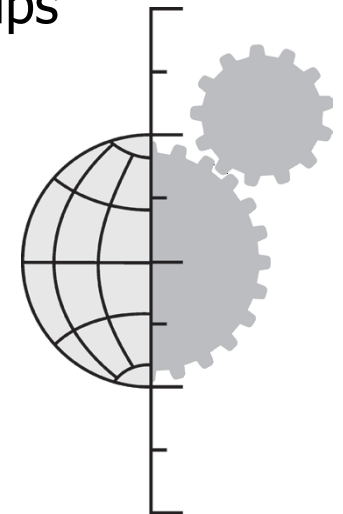
Note this includes the LADM predecessor:
Core Cadastral Domain Model (CCDM)



Current LADM workshop is first after standardization

Goals of the workshop

- Exchange initial (implementation) experience with LADM
- Further refine/develop various parts of the model:
party, legal, 2D/3D spatial, survey,...
- Via presentations and stimulation discussions during the sessions,
but also in between and afterwards → build relationships
- Interaction between participants
with different background:
 - Government
 - University
 - Industry



Organization LADM 2013

- Organizers:

- Alias Abdul Rahman, Muhamad Ghazali Hashim (UTM),
- Teng Chee Hua, Hasan Jamil (Jupem),
- Association of Authorised Land Surveyors of Malaysia (AALSM),
- Rohan Bennett, Jaap Zevenbergen (ITC, University of Twente),
- Christiaan Lemmen (Kadaster), and
- Peter van Oosterom (TU Delft)

- Programme Committee:

- Responsible for initial selection (based on abstracts)
- Provided many useful suggestions for full papers
- Also reviewed final full papers again → best paper award



Programme committee members

Babu Ram Acharya, Trias Aditya, Danilo Antonio, Robert Balanche, Doug Batson, Rohan Bennett, Pawel Boguslawski, Jaroslaw Bydlosz, Andréa Flávia Tenório Carneiro, Serena Coetzee, Antony Cooper, David Cowen, Wim Devos, Efi Dimopoulou, Neeraj Dixit, Fatih Döner, Paul Egesborg, Elikkos Elia, Stig Enemark, Diego Erba, Joseph Forrai, Claire Galpin, Marc Gervais, Charisse Griffith-Charles, Renzhong Guo, João Paulo Hespanha, Teng Chee Hua, Gyula Iván, Hasan Jamil, Donghoon Jeong, Brent Jones, Mohsen Kalantari, Sudarshan Karki, Gili Kirschner, Nick Land, Youngho Lee, Hans Mattsson, Robin McLaren, Paul van der Molen, Martien Molenaar, Gerhard Muggenhuber, Tarja Myllymäki, Gerhard Navratil, Andras Osskó, Jesper Paasch, Jenny Paulsson, Jacynthe Pouliot, Neil Pullar, Alias Abdul Rahman, Bheshem Ramlal, Martijn Rijdsdijk, Enrico Rispoli, Miodrag Roić, Dimitris Rokos, Francis Roy, Pedro Rui, Valentina Sagris, Martin Salzmann, Fausto Savoldi, Markus Seifert, David Siriba, Jantien Stoter, Michael Sutherland, Yoav Tal, Rod Thompson, Christian Timm, Harry Uitermark, Tor Valstad, Shen Ying, Jaap Zevenbergen, co-chairs: Peter van Oosterom and Christaan Lemmen

Truly international from all continents of the world

Authors

- Australia
- Bahrain
- Brazil
- China
- Croatia
- Greece
- Honduras
- India
- Indonesia
- Ireland
- Kenya
- Korea
- Malaysia
- Poland
- Portugal
- Singapore
- Sweden
- The Netherlands
- Trinidad&Tobago
- Turkey
- USA



Programme committee

- Austria
- Canada
- Cyprus
- Denmark
- Estonia
- Finland
- France
- Germany
- Hungary
- Iceland
- Israel
- Italy
- Kazakhstan
- Nepal
- Norway
- South Africa
- Spain
- Switzerland
- United Kingdom

LADM Sessions/topics



- Keynote by CheeHai Teo (FIG President)
LADM and the Continuum of Land Rights
- Parallel (with ISG) sessions containing 30 papers:

I. Opening and Industry	24 sept'13 11:30-13:10
II. Information Infrastructure	24 sept'13 14:55-16:35
III. Additional modelling	24 sept'13 17:05-18:45
IV. Country profiles	25 sept'13 10:45-12:45
V. Implementation aspects	25 sept'13 13:45-15:25
VI. 3D Registrations	25 sept'13 15:55-17:15
- Yesterday four LADM papers were cancelled:
LADM II Inan, LADM V Griffith-Charles, LADM VI Kashram + Döner
- LADM VI papers move: Zulkifli → LADM II, Budisusanto → LADM V
(LADM VI becomes discussion session by Lemmen and Bennett)

Land Administration Domain Model

Welcome to the LADM Wiki!

[LADM2013Workshop](#) Website for the 2013 LADM workshop (24-25 September 2013, Kuala Lumpur, Malaysia).

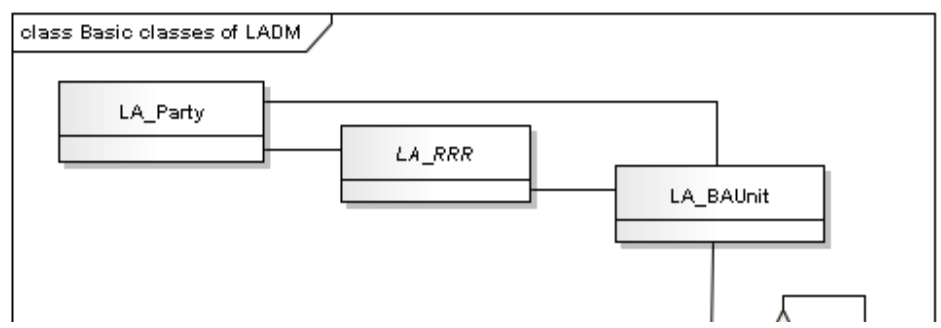
The collaborative environment for posting and discussing ISO/TC 211 Geographic Information - Land Administration Domain Model related material (or ISO 19152 in short).

Available Information

- [IsoDocuments](#)
- [UmlModels](#)
- [CountryProfiles](#)
- [LadmPublications](#)
- [ImplementationMaterial](#)
- [StandardMaintenance](#)

All LADM 2013 workshop papers on-line (in colour)

If you want to add material (and do not have an account for this Wiki), send email to "P.J.M.vanOosterom@tudelft.nl".



Acknowledgements

- UTM Local organizing committee members, especially:
Alias Abdul Rahman (chair), Pawel Boguslawski, and Raihana Yusoff
- ISG for the pleasant cooperation: (ISG Steering Committee chair)
YBhg. Datuk. Prof. Sr. Dr. Abdul Kadir Taib
- FIG for their continuous support
- Programme committee members
- Fellow members of LADM 2013 organizing committee
- Fellow LADM proceeding editors:
Chrit Lemmen and Elfriede Fendel
- Authors/speakers and participants



köszönöm !תודה dĕkuji
mahalo 고맙습니다
thank you
merci 谢谢 danke
Ευχαριστώ شكرا
どうもありがとう gracias